



GROVE[®]
MANLIFT[®]

A GROVE WORLDWIDE COMPANY

AMZ86 AMZ86XT

Self-Propelled Aerial Work Platforms



For unsurpassed reach and flexibility, choose the AMZ86 and AMZ86XT aerial work platforms from Grove Manlift!

Built on the success and popularity of our AMZ66 and AMZ66XT models, the AMZ86 and AMZ86XT offer:

- Unique, articulating boom design and articulating jib extension that lets you reach up, over, and around obstacles.
- Working height of 86 ft. (26.21 m).
- Horizontal reach of 64 ft. 6 in. (19.66 m).
- Platform capacity of 500 lbs. (227 kg).
- Four-wheel steer for easy set-up.
- Tailswing with riser elevated of just 12 in. (0.30 m).

Throughout the working range, the platform remains exceptionally rigid and stable due to the combination of the exclusive Vierendeel embossed trapezoidal boom, triple cell** riser and patented center-line boom/riser design.

With the riser fully elevated, the AMZ86 and AMZ86XT give you 22 ft. 1 in. (6.73m) of vertical clearance—higher than a two-story building! At the same time, the articulating boom extension lets you move the platform through 95° of arc, so you can

work in places you could never reach before.

Standard four-wheel drive on the AMZ86XT provides extra traction for traversing rutted or muddy terrain.

Both the AMZ86 and AMZ86XT have been designed from the ground up for long life, maintainability, and ease of operation. Smooth "ramp to zero" controls, protected internal power bridge, and choice of powerful water-cooled engines make the AMZ86 and AMZ86XT machines you can rely on to get the job done!

Standard equipment

All-welded 36 x 72 in. (0.91 x 1.83m) tubular aluminum work platform assembly with inside handrails, sliding bar gate and 180° hydraulic platform rotator. 44 in. (1.12m) high railings with 6 in. (0.15m) toeboard.

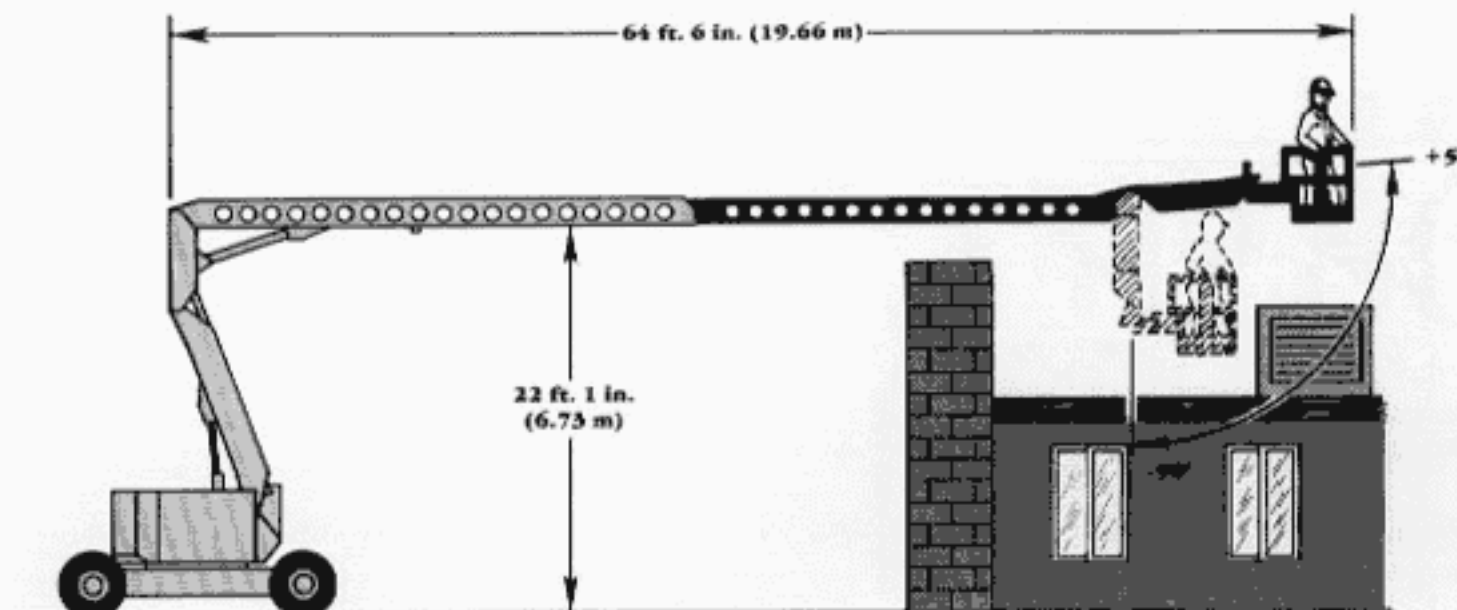
Proportional joystick controllers with dual speed and adjustable "ramp to zero" for drive, lift, telescope, and swing.

Non-proportional control switches for steering, platform level and platform rotation.

Upper control panel with selection switches for front/rear steer, boom/riser/jib/lift, drive/torque, and high/low engine idle. Control enable foot pedal with indicator light.* Buttons for auxiliary power, engine start, choke, and emergency stop.



Standard four-wheel drive and four-wheel steer give the AMZ86XT exceptional power and maneuverability.



Three dimensional articulating boom on the AMZ86 and AMZ86XT lets you reach up, over and around obstacles.

Lower control panel features non-proportional control switches for drive, steer, lift, telescope, swing and platform level. Selection switches for lower/upper controls, boom/riser/jib/lift, and auxiliary power unit. Also included are a voltmeter, hourmeter, and ignition switch.

All-steel, 2-section Vierendeel-embossed trapezoidal boom with articulating jib attached to fly section. Telescoping boom sections supported by adjustable Nylatron wear pads. Internal power guide routes hydraulic and electric lines to platform.

Triple cell** riser with patented centerline design.

Double-acting lift cylinder with integral holding valves provides boom elevation from -1.3° to $+75^{\circ}$ above horizontal. Articulating jib with double-acting lift cylinder and integral holding valve provides elevation from $+5^{\circ}$ to -90° relative to horizontal boom.

Double-acting boom telescope cylinder with integral holding valve.

Ball bearing swing circle with 360° continuous rotation. Planetary double reduction gear box with hydraulic motor and spring-applied hydraulically released brake. Plunger-type mechanical house lock.

Pressure/flow compensated, variable displacement axial piston hydraulic pump with 43 gpm (163 lpm) capacity. Maximum system operating pressure of 3,750 psi (259 bar).

Electrically-activated, consolidated proportional and nonproportional valve bank provides simultaneous functioning of drive, steer, lift, telescope, swing, platform rotate, and platform level.

10 micron hydraulic pressure filter, 10 micron return filter, fill strainer and magnetic plug in reservoir. 50 gal. (189 liter) hydraulic reservoir with sight gauge.

Ford CSG-649 6-cylinder water-cooled gasoline engine with 110 hp (82 kw) at 2500 rpm and 60 amp alternator.

45 gal. (170 liter) steel fuel tank with gauge.

12-volt DC negative ground battery with 750 CCA @ 0° F (-17° C).

Options

36 x 96 in. (0.91 x 2.44m) platform.

110-volt AC wiring to platform with plug and junction box on turntable and two outlets on platform, 15-amp resettable circuit breaker, and ground fault interrupter.

2000-watt 110-volt AC generator with two outlets on platform.

120 psi (8.27 bar) 3/4 in. I.D. air hose to platform with quick disconnect on turntable.

Halogen worklights on platform.

Ford CSG-649 6-cylinder water-cooled dual fuel engine with 110 hp (82 kw) at 2500 rpm and 60 amp alternator.

Cummins 4BT3.9 4-cylinder turbo-charged water-cooled diesel engine with 100 hp (75 kw) at 2500 rpm and 60 amp alternator.

18R-19.5 foam-filled flotation tires (increases overall width to 8 ft. 6 in. [2.6m]).

Amber strobe lights.

Halogen travel lights.

Fire extinguisher.

In-plant tow package.

Hostile Environment Protection Package.

Special paint.

Specifications

AMZ86/AMZ86XT

Platform

Working Height.....86 ft. (26.21m)
 Platform Height.....80 ft. (24.38m)
 Horizontal Reach
 w/ Riser Elevated.....64 ft. 6 in. (19.66m)
 Riser Height.....22 ft. 1 in. (6.73m)
 Platform Capacity
 500 lbs. (227 kg) with standard tires and either
 36 x 72, 96 in. (0.91 x 1.83, 2.44m) platform.
 600 lbs. (272 kg) with optional tires and standard
 36 x 72 in. (0.91 x 1.83m) platform.
 500 lbs. (227 kg) with optional tires and optional
 36 x 96 in. (0.91 x 2.44m) platform.

Dimensions

Platform Size
 Standard.....36 x 72 in. (0.91 x 1.83m)
 Optional.....36 x 96 in. (0.91 x 2.44m)
 Overall Height (stowed).....9 ft. 8 in. (2.95m)
 Overall Length.....36 ft. 6 in. (11.13m)
 Overall Width.....8 ft. (2.44m)
 Track.....6 ft. 6 in. (1.98m)
 Turning Radius
 (outside).....17 ft. 6 in. (5.33m)
 Tailswing
 Riser Up.....12 in. (0.30m)
 Riser Down.....5 ft. 5.5 in. (1.66m)
 Wheelbase.....12 ft. (3.66m)
 Ground Clearance.....12 in. (0.30m)

Performance

Drive/Steer
 AMZ86.....Front wheel drive, 4 wheel steer
 AMZ86XT.....4 wheel drive, 4 wheel steer
 Maximum Drive Speed
 AMZ86.....3.5 mph (5.6 km/h)
 AMZ86XT.....2.5 mph (4.0 km/h)
 Gradeability
 AMZ86.....30%
 AMZ86XT.....50%
 Tire Size.....13.00R20
 Tire Fill.....Foam
 Swing Speed.....0.5 rpm

Power Source

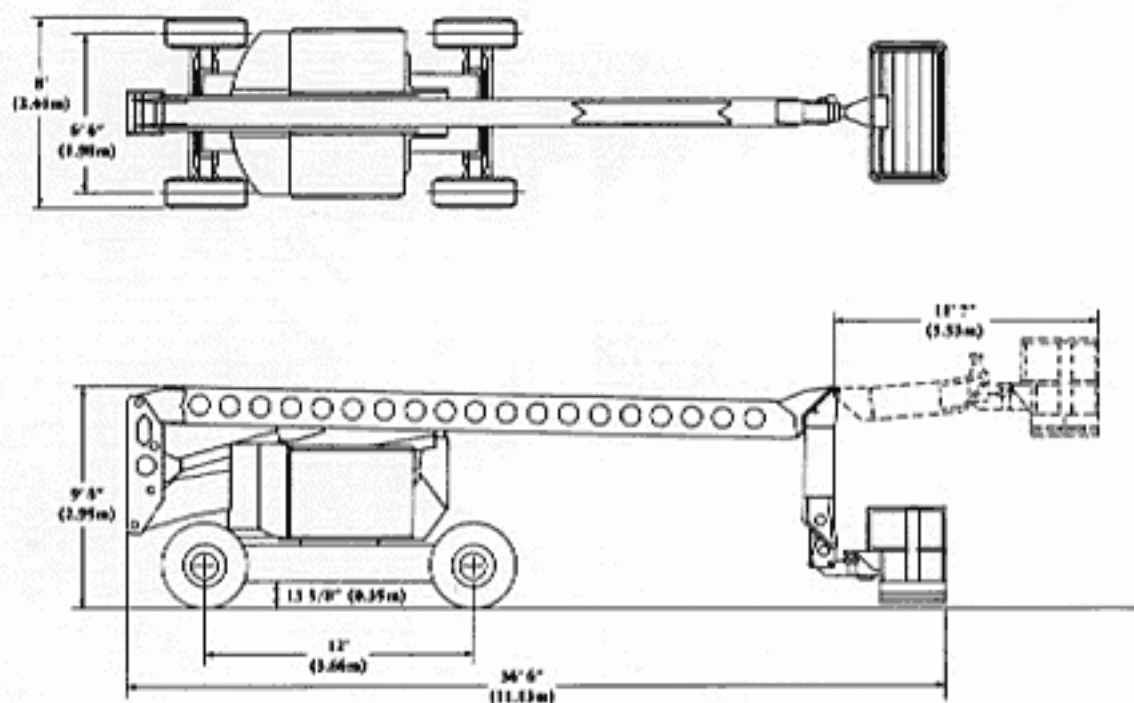
Engine.....Ford CSG-649 Water-Cooled
 Engine Horsepower.....110 hp (82 kw)
 Fuel Tank Capacity.....45 gal. (170 liters)

Hydraulics

Reservoir Capacity.....50 gal. (189 liters)
 Hydraulic Pump Type.....Piston
 Filtration.....10 micron

Shipping Information

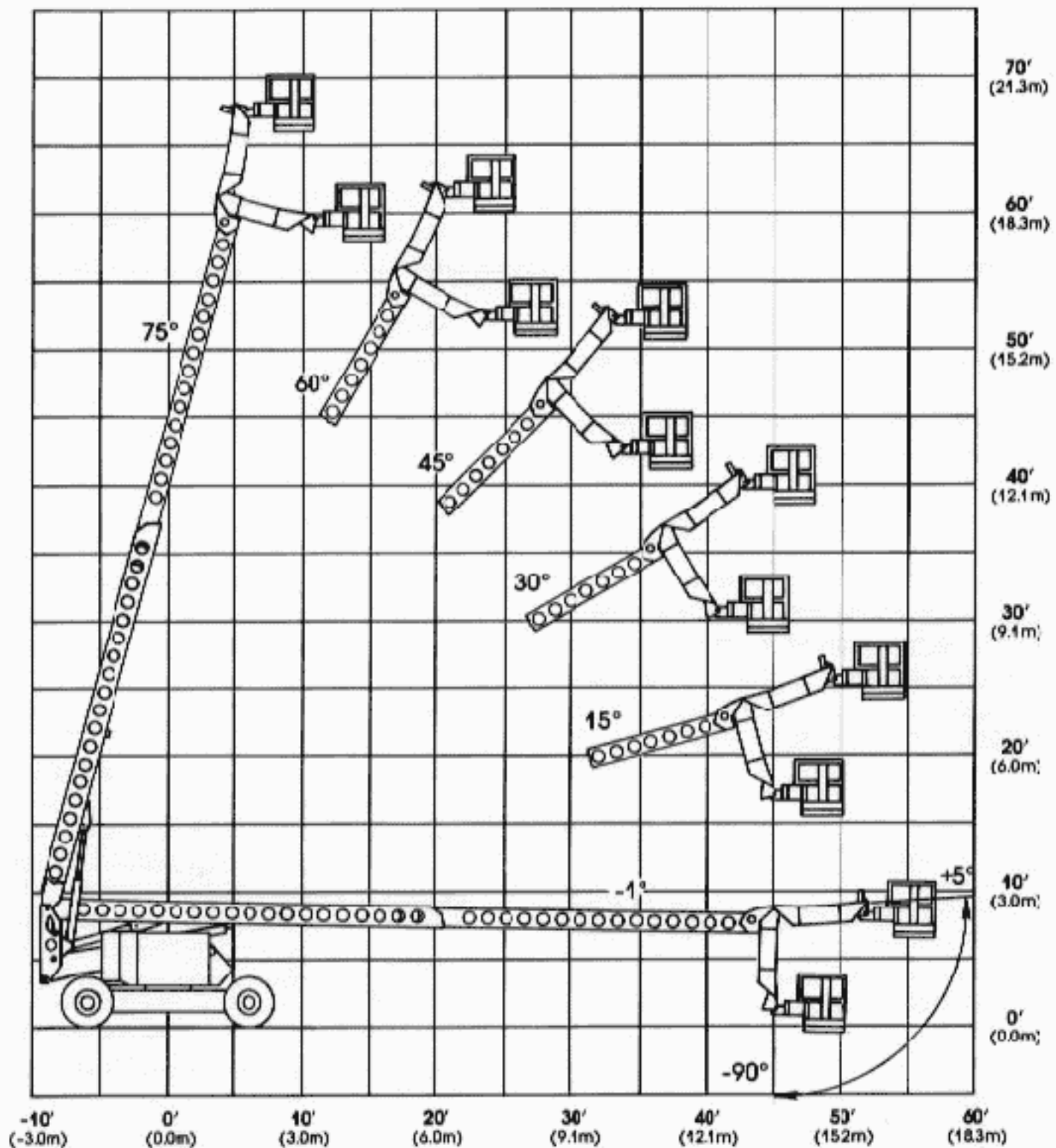
Weight
 AMZ86.....42,300 lbs. (19190 kg)
 AMZ86XT.....42,800 lbs. (19415 kg)
 Shipping Cube.....2,774 cu. ft. (78.5 m³)



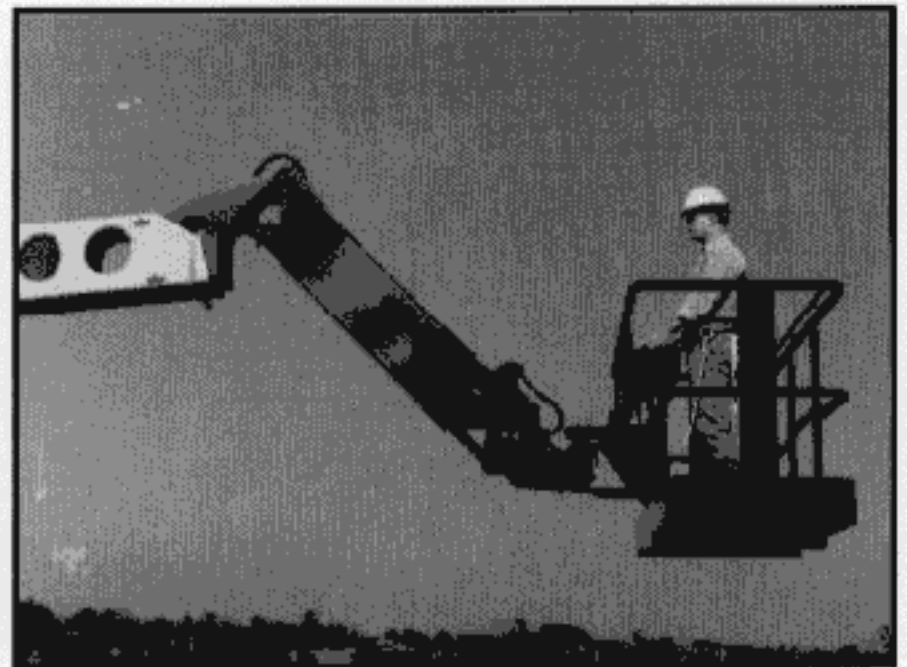
*Patented Grove feature.

**Patent pending.

Riser Lowered

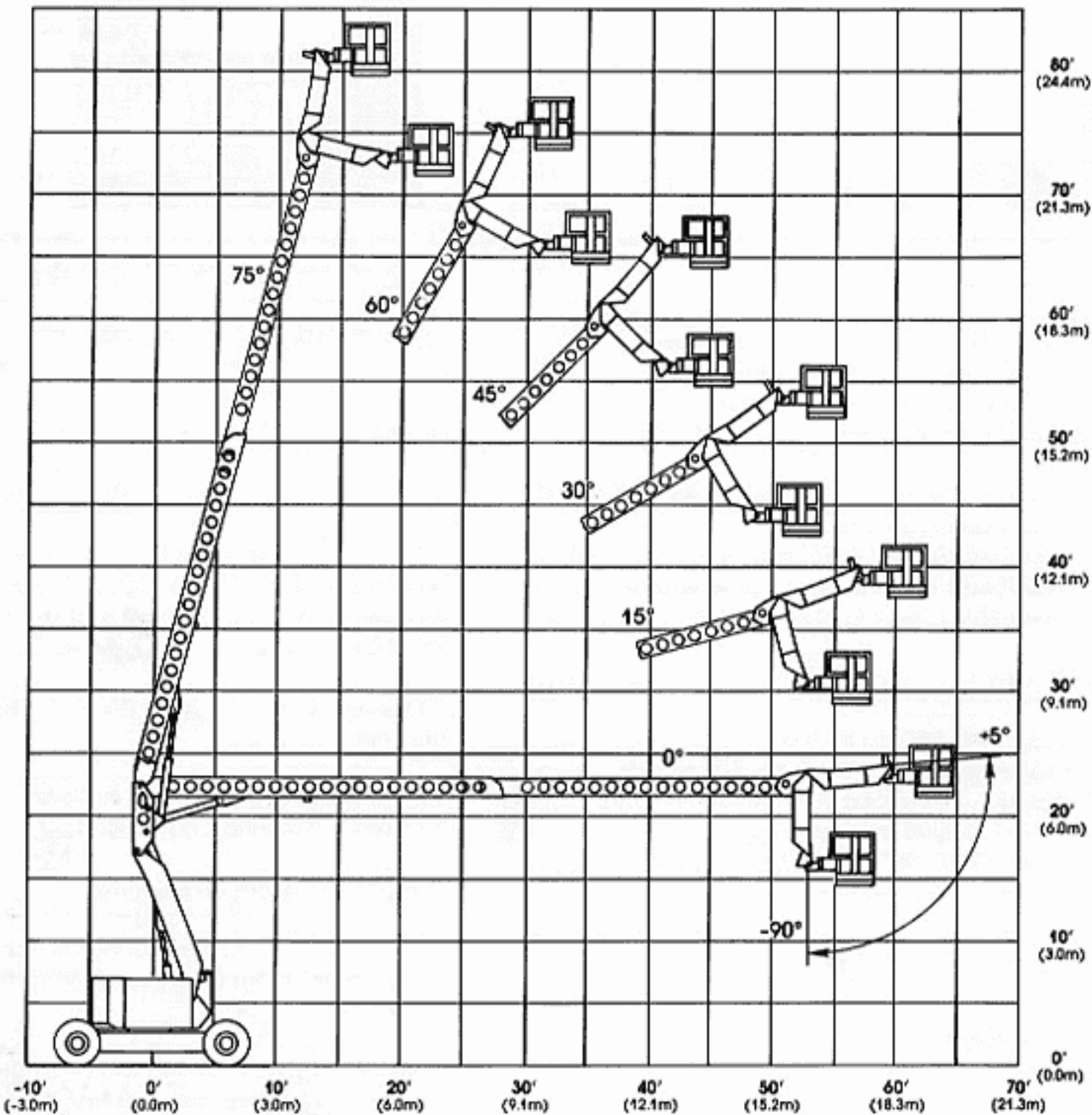


Easy access to service areas make the AMZ86 and AMZ86XT simple to maintain.



An articulating jib extension provides a third dimension for reaching around obstacles.

Riser Elevated



Grove Worldwide - World Headquarters
 1565 Buchanan Trail East
 Shady Grove, Pennsylvania 17256
 Phone: (717) 597-8121 Fax: (717) 597-4062

Grove North America
 P. O. Box 21, Shady Grove, Pennsylvania 17256
 Western Hemisphere, Asia/Pacific
 Phone: (717) 597-8121 Fax: (717) 597-4062

Grove Europe*
 Sunderland, England SR4 6TT
 Europe, Africa, Middle East, Near East
 Phone: (091) 565-6281 Fax: (091) 564-0442

* Grove Europe Limited, Registered in England, Number 1845128. Registered office, Crown Works, Pallion, Sunderland, Tyne & Wear, England SR4 6TT.

Constant improvement and engineering progress make it necessary that we reserve the right to make specification, equipment, and price changes without notice. Illustrations shown may include optional equipment and accessories and may not include all standard equipment. This work platform meets the requirements, to the extent applicable, of US-DOL OSHA regulations and ANSI A92 standards in effect on the date of manufacture.

Distributed By: